

03	FIXED LOTS MORE OF C.I. STUFF	DBH				
02	FIXED MORE OF C.I. STUFF	DBH				
01	FIXED C.I. STUFF	DBH				
REV/ISS	AMENDMENTS	DRAWN	CHKD	D.O.	APVD	DATE

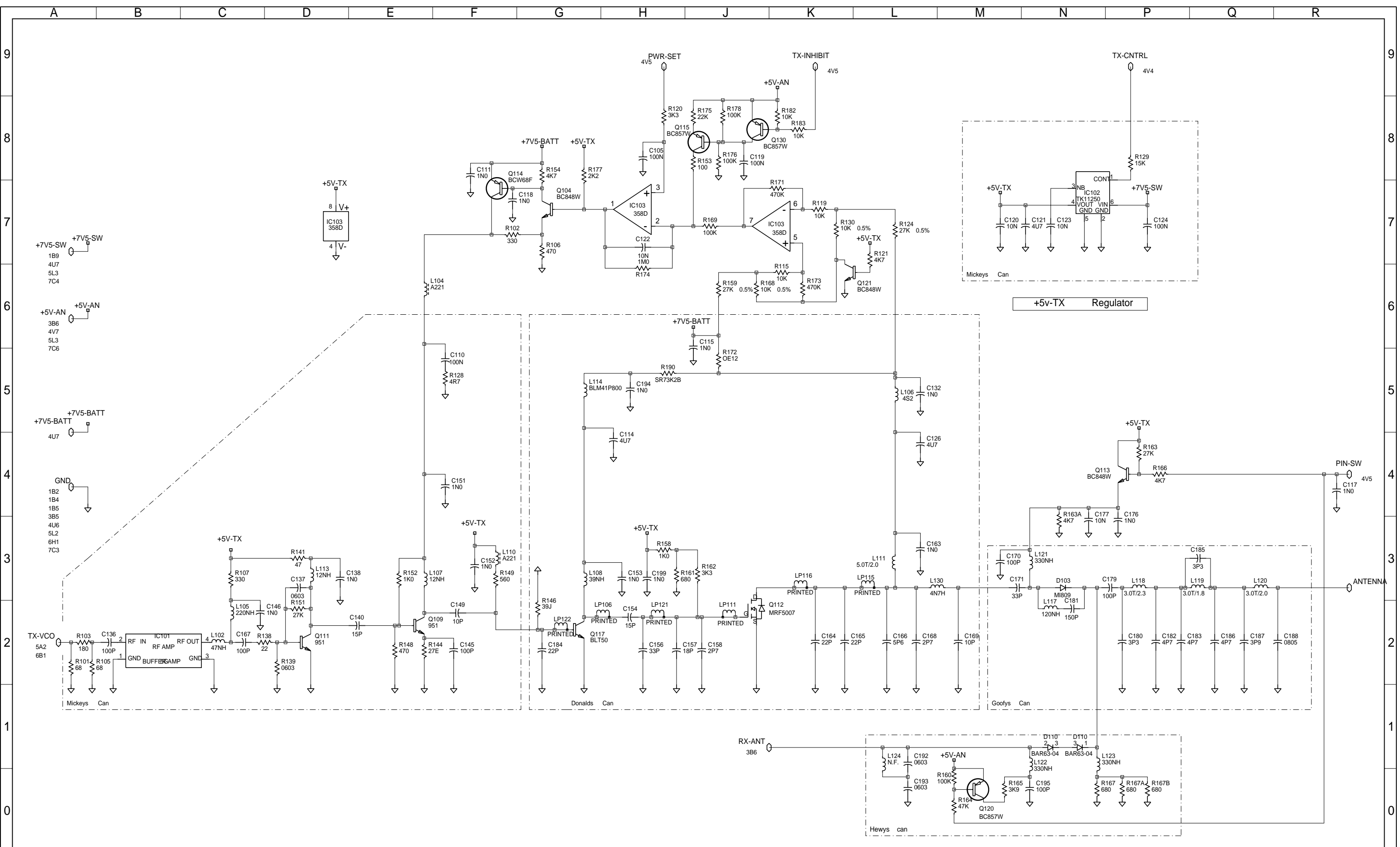
- DONALD
PT-DONALD
- BUGGS
XXXX-NXG
- DAFFYS
XXXX-NXG
- MICKEYS
XXXX-NXG
- TWEETYS
XXXX-NXG
- GOOFYS
XXXX-NXG
- JERRY
XXXX-NXG-XX
- MINI
PT-MINI
- HEWYS
XXXX-NXG
- DEWYS
XXXX-NXG
- LEWYS
XXXX-NXG
- FRED
XXXX-NXG
- TOM
XXXX-NXG
- MIC-SEAL
MICGROMMET

TAIT ELECTRONICS

ORCA :TP010-5122 400-470MHZ
SYSTEM DIAGRAM

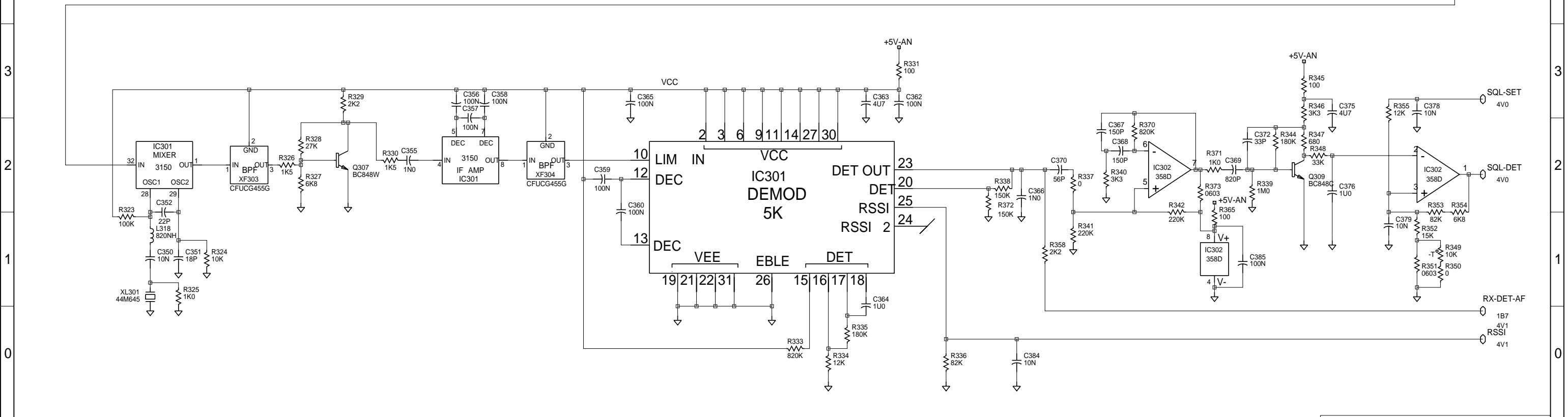
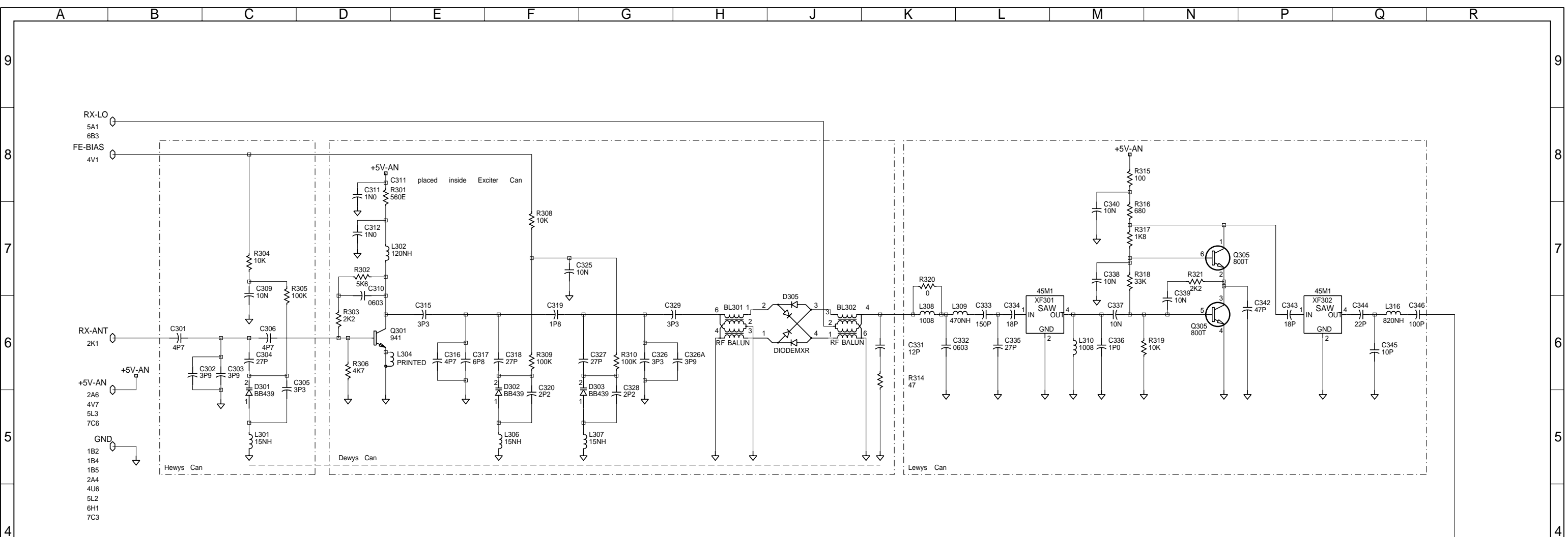
IPN: 220-01392-03 ISSUE: A ID: 2.S.C. 1

PROJECT: ORCA DESIGNER: DBH FILE NAME: 139203A FILE DATE: 14-8-97 NO.SHEETS: 7



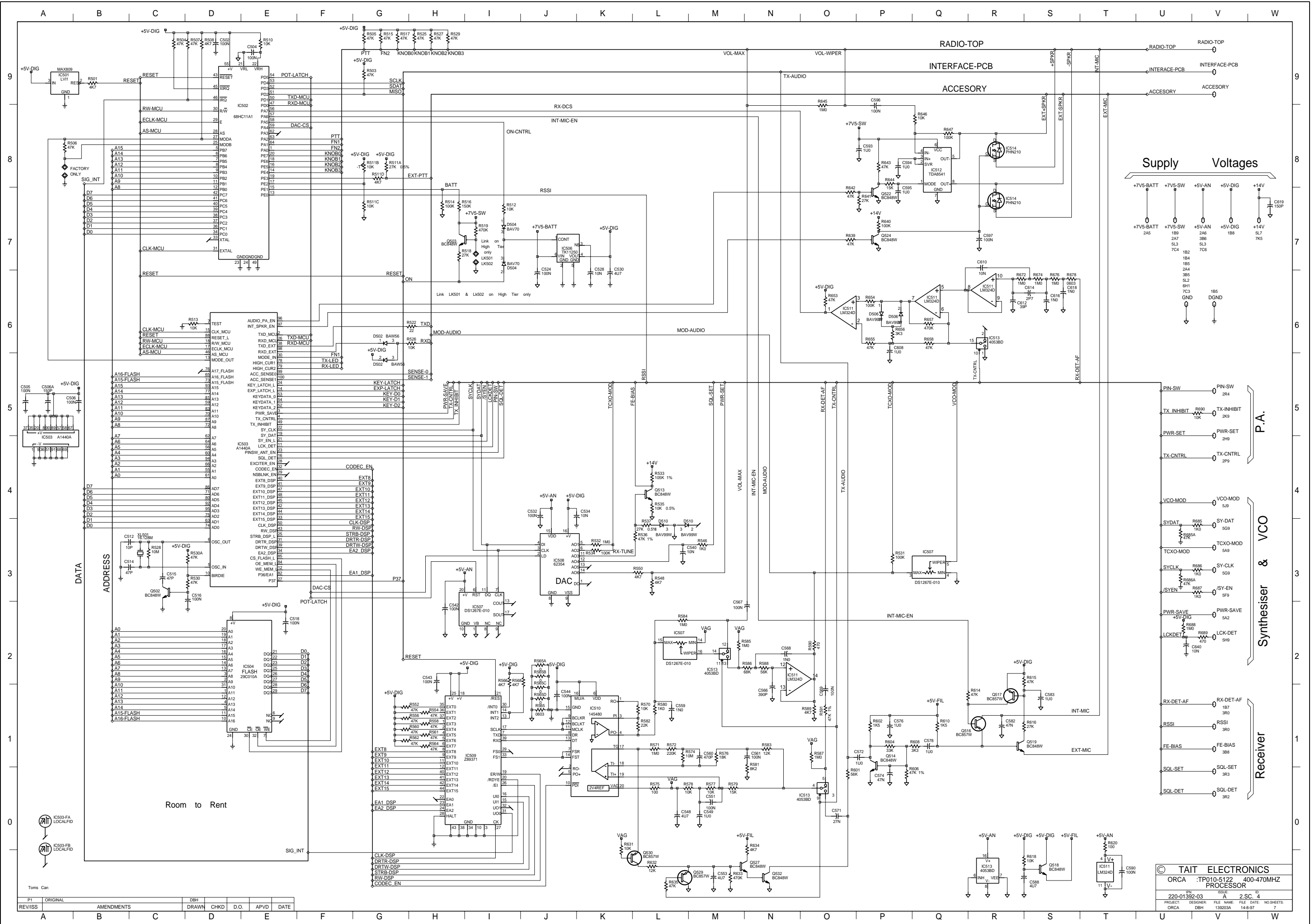
© TAIT ELECTRONICS
 ORCA :TP010-5122 400-470MHZ
 POWER AMPLIFIER
 IPN: 220-01392-03 ISSUE: A ID: 2.S.C. 2
 PROJECT: ORCA DESIGNER: DBH FILE NAME: 139203A FILE DATE: 14-8-97 NO.SHEETS: 7

REV/ISS	AMENDMENTS	DRAWN	CHKD	D.O.	APVD	DATE
A						

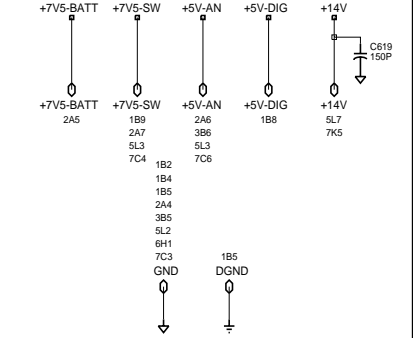


© TAIT ELECTRONICS
 ORCA :TP010-5122 400-470MHZ RECEIVER
 IPN: 220-01392-03 ISSUE: A ID: 2.S.C. 3
 PROJECT: ORCA DESIGNER: DBH FILE NAME: 139203A FILE DATE: 14-8-97 NO.SHEETS: 7

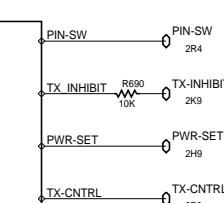
REV/ISS	AMENDMENTS	DRAWN	CHKD	D.O.	APVD	DATE



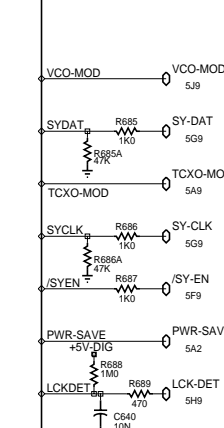
Supply Voltages



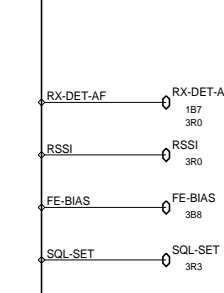
P.A.



Synthesiser & VCO



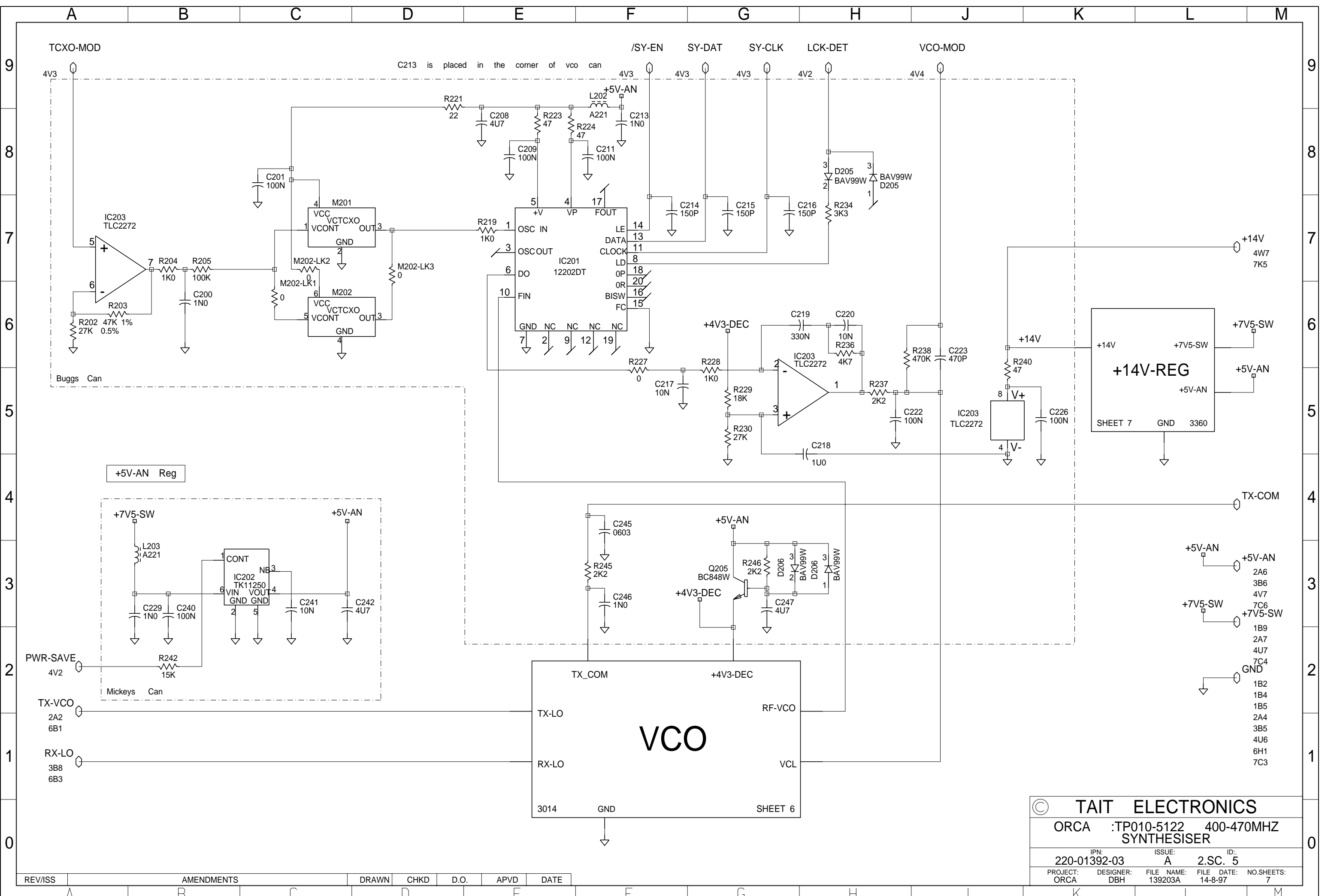
Receiver



Room to Rent

© TAIT ELECTRONICS
 ORCA :TP010-5122 400-470MHZ
 PROCESSOR
 220-01392-03
 PROJECT: DESIGNER: FILE NAME: FILE DATE: NO SHEETS: 7
 ORCA DBH 130203A 14-8-97

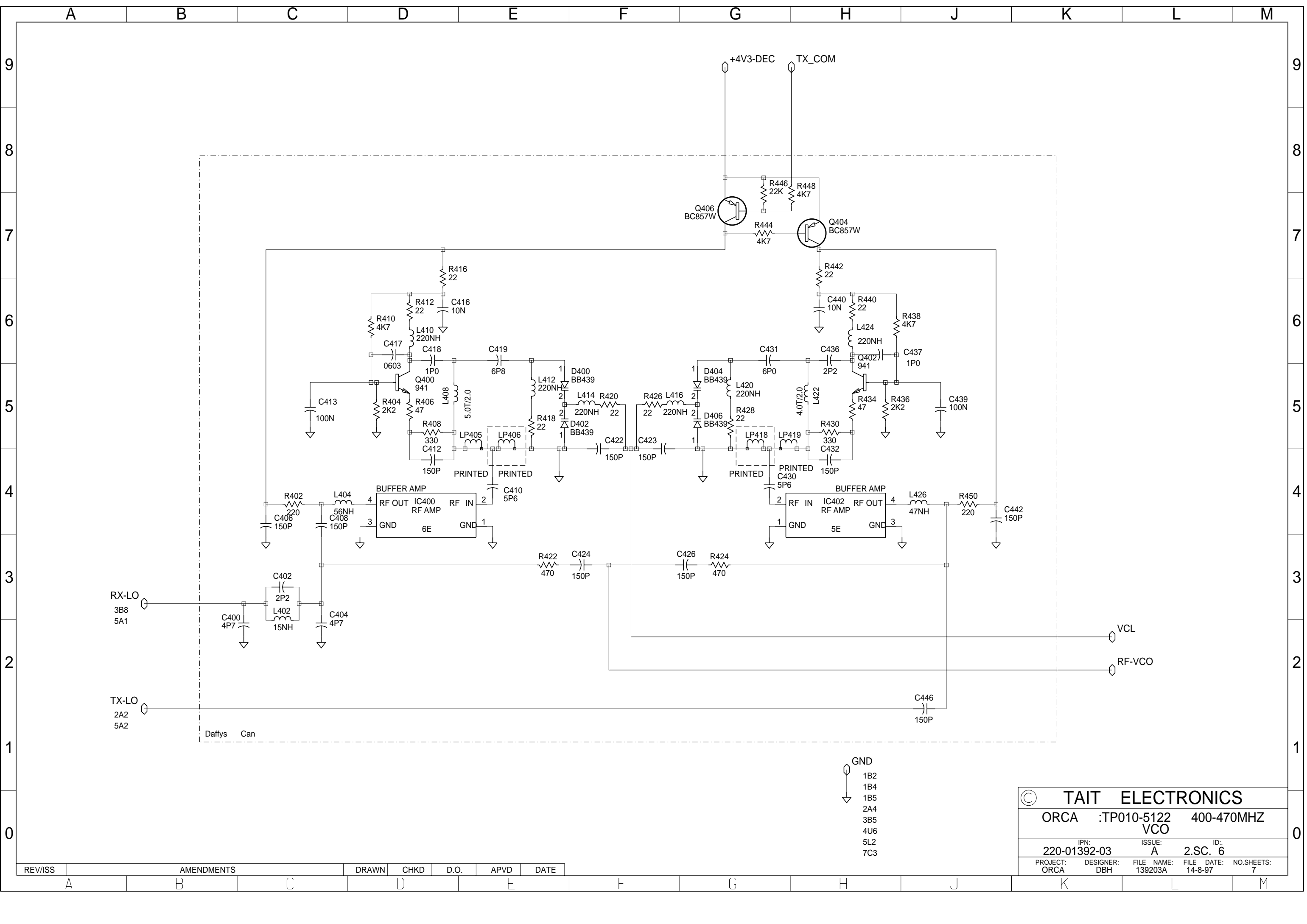
REV/ISS	P1	ORIGINAL	AMENDMENTS	DRAWN	CHKD	D.O.	APVD	DATE
	A							



© TAIT ELECTRONICS				
ORCA :TP010-5122 400-470MHZ SYNTHESISER				
IPN:	ISSUE:	ID:		
220-01392-03	A	2.SC. 5		
PROJECT:	DESIGNER:	FILE NAME:	FILE DATE:	NO.SHEETS:
ORCA	DBH	139203A	14-8-97	7

REV/ISS	AMENDMENTS	DRAWN	CHKD	D.O.	APVD	DATE

- +5V-AN 2A6
- +5V-AN 3B6
- +5V-AN 4V7
- +7V5-SW 7C6
- +7V5-SW 7C4
- GND 1B9
- GND 2A7
- GND 4U7
- GND 7C4
- GND 1B2
- GND 1B4
- GND 1B5
- GND 2A4
- GND 3B5
- GND 4U6
- GND 6H1
- GND 7C3



Daffys Can

- GND
- 1B2
 - 1B4
 - 1B5
 - 2A4
 - 3B5
 - 4U6
 - 5L2
 - 7C3

© TAIT ELECTRONICS

ORCA :TP010-5122 400-470MHZ
VCO

IPN: 220-01392-03 ISSUE: A ID: 2.SC. 6

PROJECT: ORCA DESIGNER: DBH FILE NAME: 139203A FILE DATE: 14-8-97 NO.SHEETS: 7

REV/ISS	AMENDMENTS	DRAWN	CHKD	D.O.	APVD	DATE

